



# Installation Guide for Extender & Extender with Offset

4 COMMERCE WAY, ARDEN, NC 28704 USA  
800-892-9173 828-676-1700  
OMGEDGESYSTEMS.COM



# Installation Guide for Fascia Extender (With & Without Offsets)

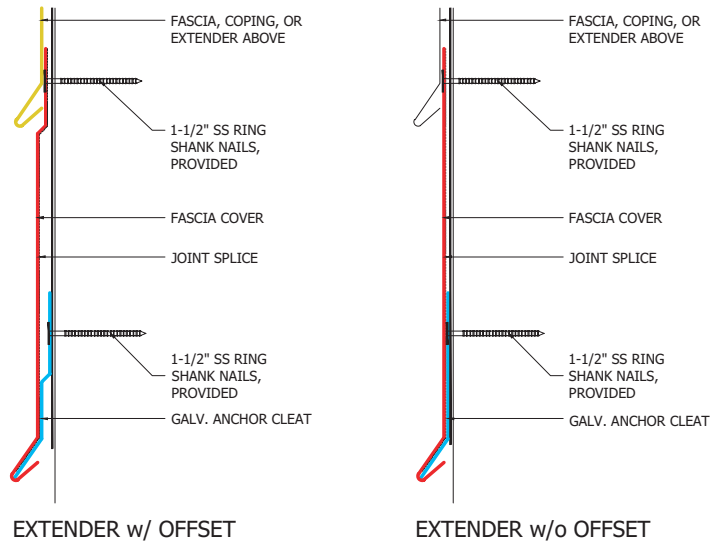


ANSI/SPRI/FM4435/ES-1 TESTED

**NOTES:**

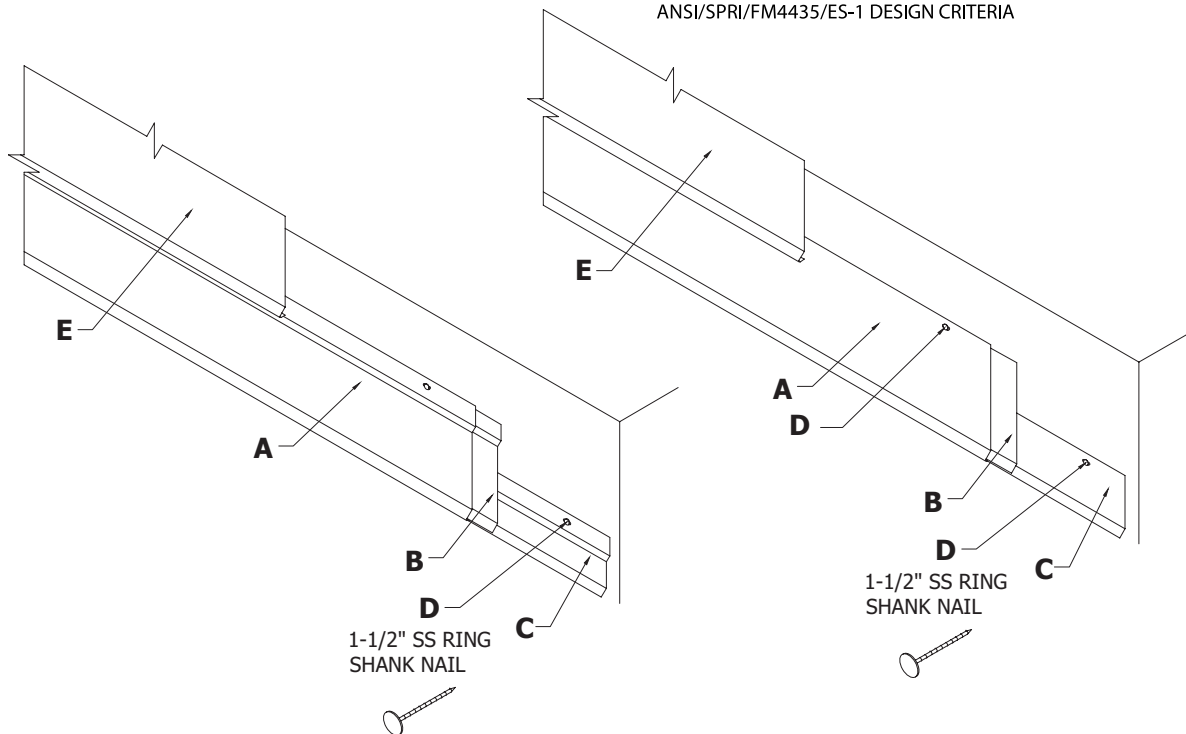
- #1 - Isolate all metal parts from ACQ treated wood or other galvanically incompatible material with appropriate membrane material.
- #2 - Appliance attachments, such as lightning rods, signs, or antennae that penetrate the edge system, induce a galvanic reaction, or otherwise compromise the effectiveness of the roof edge system, shall be eliminated or isolated to prevent problems per ANSI/SPRI/FM4435/ES-1. Lightning protection systems for example must not be directly affixed to the product provided by OMG. Consult OMG for alternative attachment suggestions.

ANSI/SPRI/FM4435/ES-1 TEST PRESSURES UP TO 107 PSF (HORIZONTAL)



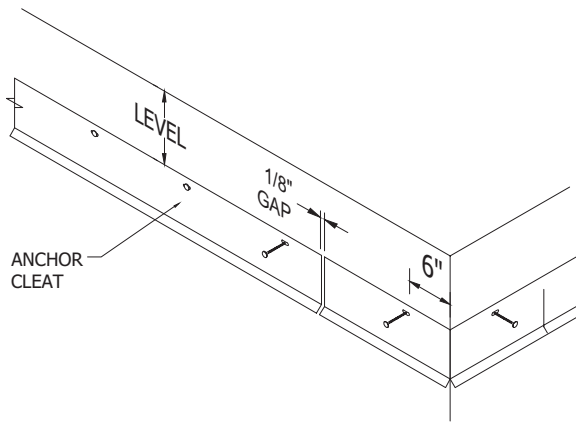
FOR MASONRY APPLICATIONS, PLEASE CONTACT OMG.

CONTACT OMG FOR APPROPRIATE RECOMMENDATIONS NEEDED TO MEET/EXCEED ANSI/SPRI/FM4435/ES-1 DESIGN CRITERIA



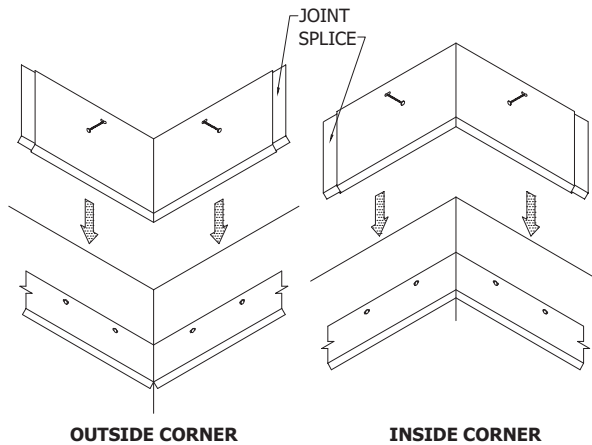
- A. Formed Fascia Cover**  
10'-0" Lengths
- B. Concealed Joint Splice**  
4" Lengths
- C. Galvanized Anchor Cleat**  
10'-0" Lengths

- D. 1-1/2" SS Ring Shank Nail**  
at 12" o.c. (6" from ends)  
(Included & Required)
- E. Fascia, Coping, or Extender**  
(Product may vary)



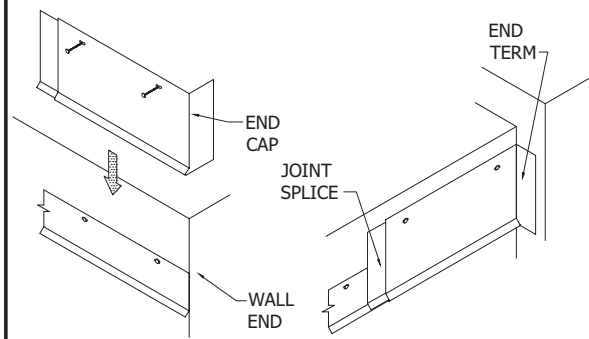
### STEP 1: Installing Anchor Cleat

Place the top edge of the anchor cleat level on the wall face and press cleats securely in position and nail through pre-punched holes with 1-1/2" ss ring shank nails provided. For miter application, fit into corner as required to maintain a continuous anchor cleat line. Then nail at a min. of 6" in each direction from the corner or closer at special conditions. Allow 1/8" gap between sections for thermal movement.



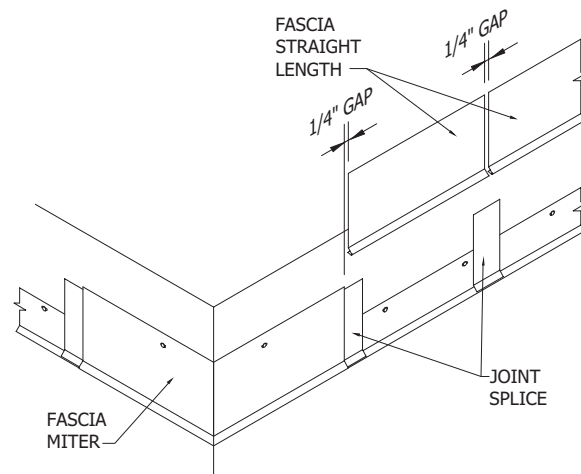
### STEP 2: Installing Fascia Miters

Locate fascia miters and joint splice for the appropriate corners. Place a joint splice under each end of the miter sections. Install the miter by hooking the drip of the fascia onto the kick out of the cleat and rotate back until the fascia is flush with the wall face. Fasten with 1-1/2" ss ring shank nails in each pre-punched hole.



### STEP 3: Installing Fascia End Caps and End Terms

Install the fascia by hooking the drip of the fascia onto the kick out of the cleat and rotate back flush with the wall face. Fasten with 1-1/2" ss ring shank nails in each pre-punched hole.

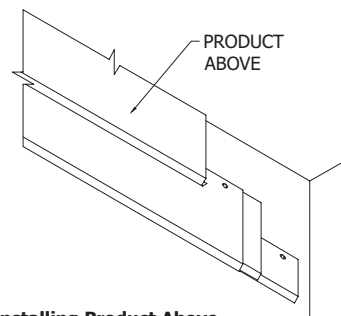


### STEP 4: Installing Fascia Straight Lengths

Place a concealed joint splice on the opposite end of the installed miter or end cap. Install the fascia by hooking the drip of the fascia onto the kick out of the cleat and rotate back flush with the wall face. Fasten with 1-1/2" ss ring shank nails in each pre-punched hole.

**Allow 1/4" gap between fascia sections for thermal expansion.** Consider lengths of all straight pieces prior to cutting to avoid creating relatively short sections of fascia adjacent to full length section.

**Note: There should be a joint splice at every joint.**



### STEP 5: Installing Product Above

Install product above fascia per manufacturer's installation instructions.